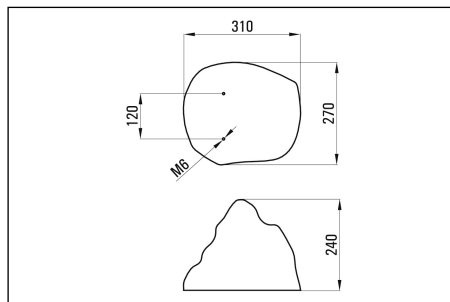
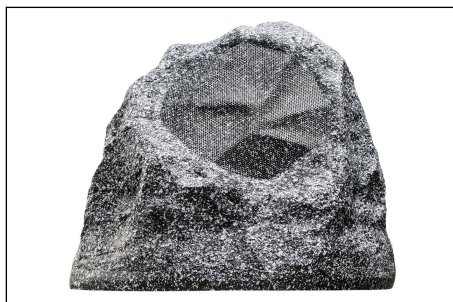


SL 25/2

High-quality 2-way Hi-Fi speakers in a stone look for uncompromising applications indoors and out. Typical areas of application include hotel lobbies, health spa resorts, amusement parks, pub gardens, ... or in the garden or on the patio at home. The SL 25/2 features a powerful 165 mm woofer and 13 mm dome tweeter. The SL 25/2 can be fixed and secured against theft using the two M6 insert threads provided.



Technical Data	SL 25/2-T25
Load Rating / Music Power	25 W
Impedance	4 Ohm
Transformer	25/12.5/6.25 W
SPL 1W/1m	85 dB
SPL PNenn/1m	99 dB
SPL PNenn/1m/f	106 dB/1 kHz
Frequency Range (-3 dB)	80-20000 Hz
Frequency Range (-10 dB)	70-22000 Hz
Transmission Angle, horizontale 1/2/4/8 kHz (-6 dB)	160/-/40/40 °
Transmission Angle, verticale 1/2/4/8 kHz (-6 dB)	160/-/40/40 °
Material	Housing: plastic, grille: aluminium
Net Weight	4.9 kg
Colors	granite-grey, granite-red